



SUNWAY 申威

ICH1



Chengdu Sunway

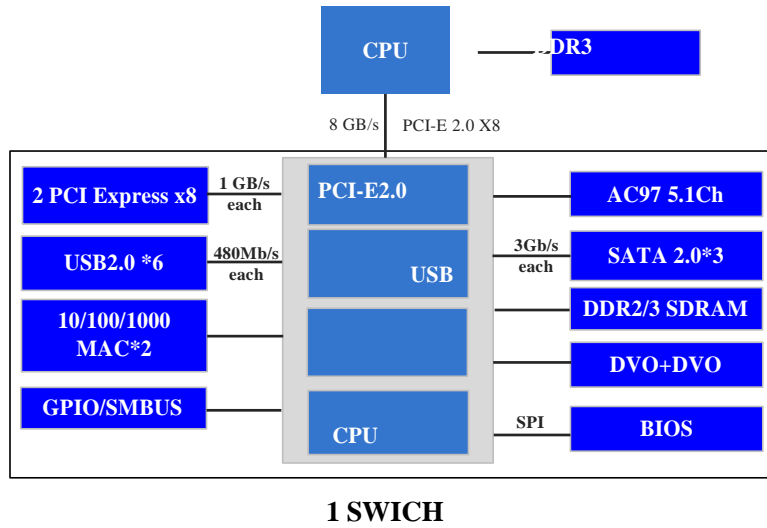






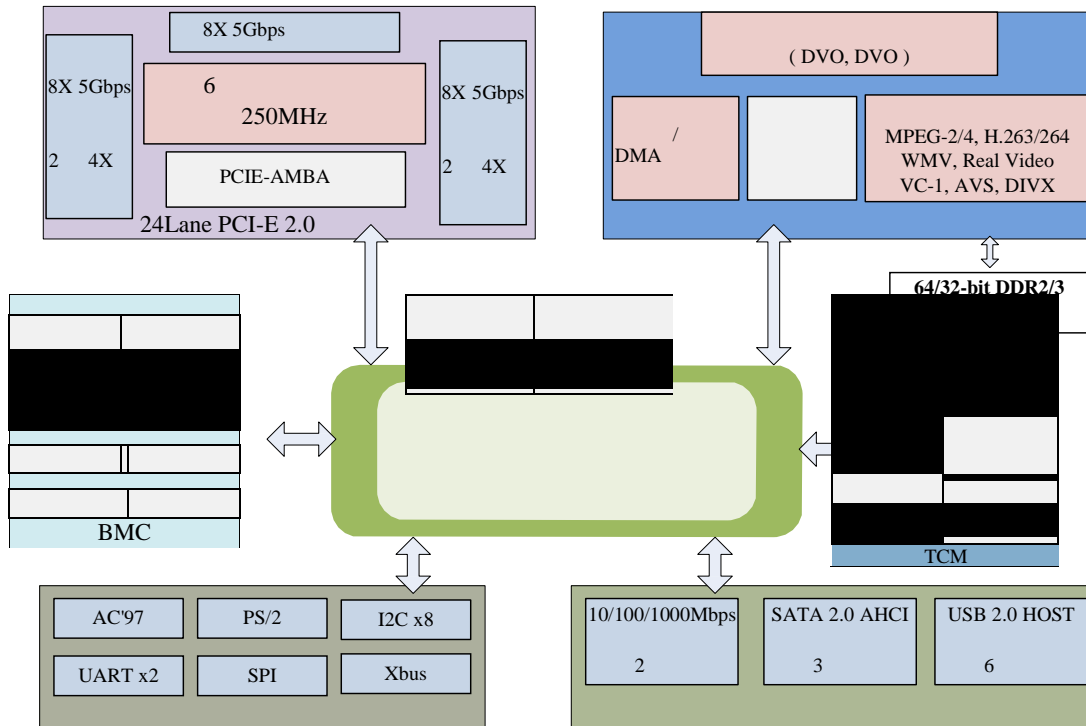
1.

IO	SWICH	PCI-E	65nm	SWICH
PCI-E	PCI-E	(PCI-E Gen2 24Lane	16 Lane
)	DDR2/3		(10M/100M/1G
USB 2.0	UART	I2C	DMA)
		SPI	PS/2	
		TCM	/	/
		11.8W		
SWICH			PCI-E 2.0	



2.

SWICH IO IO SWICH



2 SWICH

SWICH

1	PCI-E	1	X8	2	X8	2	X4
2	SATAII AHCI			3	SATAII 3Gbps		
3					DDR3	64/32	8/16
			DMA		VPU	MPEG-2/4	H.263/264
			2D/3D				WMV
			Real Video				DVO
			VC-1				
			AVS				
			DIVX				
			1080P		1080P		
4	2	10/100/1000M			GMAC	PHY	IEEE 802.3
					GMII /RGMII		
5	6	USB 2.0			480Mbps/12Mbps		
6	1	64	32		DDR2/3		
7					5.1		
8					ECC	HASH	
9							

3.

	IO	SWICH			1-3
	IO	SWICH		DVO	VGA DAC HDMI
LVDS			AC97	AC-link	AC97 CODEC



12

354

784

8

4

4 SWICH

1.0V VDD	90
VSS	354



	DC	58
	TCM	136
	BMC	133
	JTAG	8
	CLK	19
		1296

() 1

1

DDR3	116	0	28	88	SSTL 1.5V
PCI-E	102	54	48	0	LVDS
	26	14	12	0	2.5V LVCMOS
SATA	14	8	6	0	LVDS
	14	6	8	0	2.5V LVCMOS
Ethernet	56	30	24	2	2.5V LVCMOS

USB

2.751.